

Cat6 & Cat5E Keystone Jacks meets & exceed Permanent Link & Channel Level requirements
Cat3 voice-grade USOC is ideal for most voice applications

90° UTP Modular Jack



Part No. :

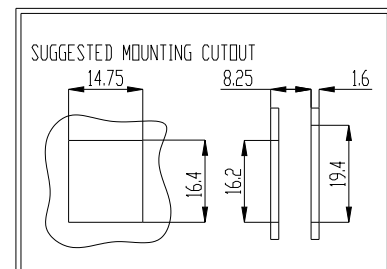
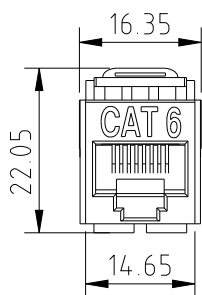
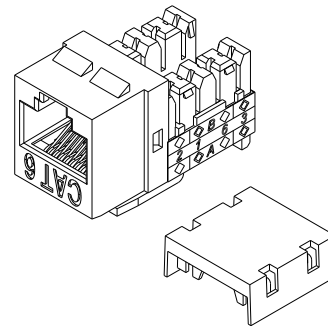
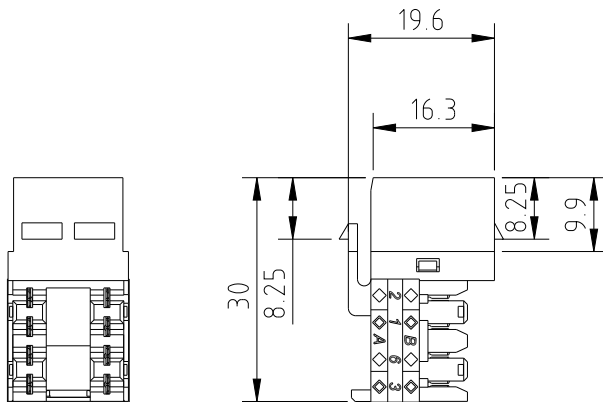
MJ90L-6E-xx	Cat6E 8P8C 568A/B
MJ90L-C6-xx	Cat6 8P8C 568A/B
MJ90L-5E-xx	Cat5E 8P8C 568A/B
MJ90L-C3-xx	Cat 3 6P6C USOC

Feature

- * Small form factor design for high density applications with more connectivity in less space.
- * Fits wall plates, blank patch panels and surface housing.
- * Meets & exceed EIA/TIA performance requirements.
- * Terminate with 110 Style punch tool.
- * Innovative press-fit technology to be fully RoHS compliant. (No solder - No leads.)
- * Integrate with T568A & T568B wiring diagram.

Specifications

- * Housing: ABS, UL94V-0
- * IDC: PC, UL94V-0
- * Contact: Gold plated with 60U" Nickel undercoat
- * PCB: FR-4, 94V-0
- * Insulation Resistance: 500M
- * DC Current: 1.5amps
- * Exceed Cat5e, Cat6 performance Standards.

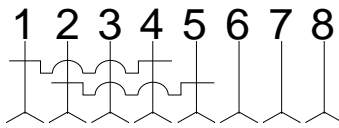


T1 Application

90° UTP Modular Jack



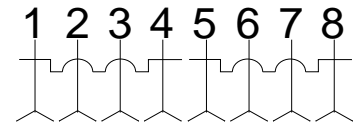
RJ-48X



MJ9048-EW RJ-48X Modular Jack, Pin1-4/2-5 shorted by shorting bar. Short-removed on Plug Insertion



RJ-31X



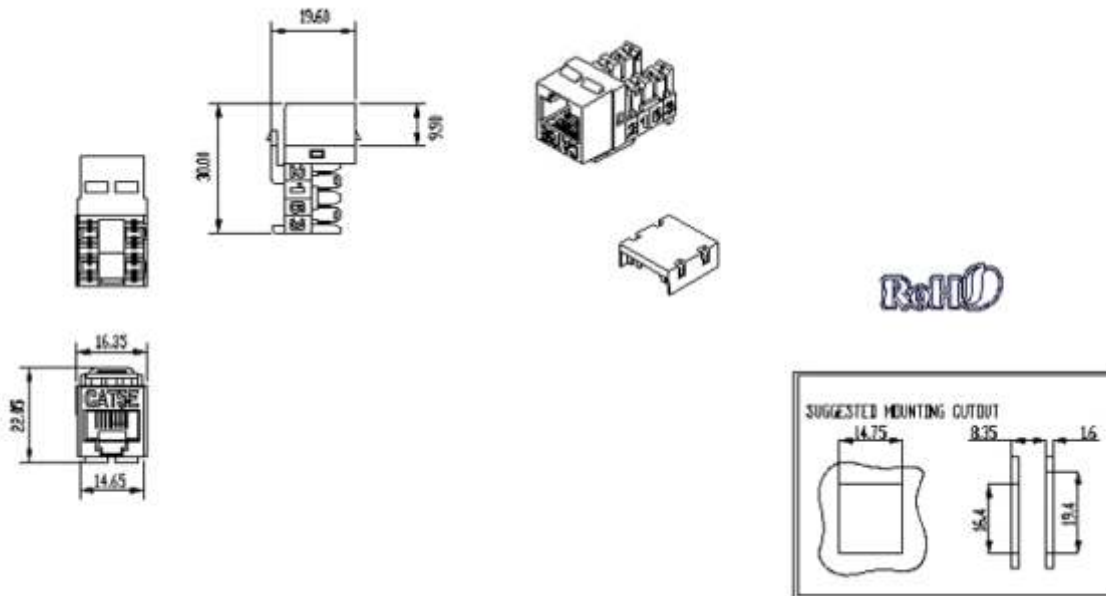
MJ9031-EW RJ-31X Modular Jack, Pin1-4/5-8 shorted by shorting bar. Short-removed on Plug Insertion

Feature

- * Small form factor design for high density applications with more connectivity in less space.
- * Fits wall plates, blank patch panels and surface housing.
- * Terminate with 110 Style punch tool.
- * Innovative press-fit technology to be fully RoHS compliant. (No solder - No leads.)

Specifications

- * Housing: ABS, UL94V-0
- * IDC: PC, UL94V-0
- * Contact: Gold plated with 60U" Nickel undercoat
- * PCB: FR-4, 94V-0
- * Insulation Resistance: 500M
- * DC Current: 1.5amps



Cat6 & Cat5E Keystone Jacks meets & exceed Permanent Link & Channel Level requirements



90° UTP Modular Jack W/Shuttered

Part No. :

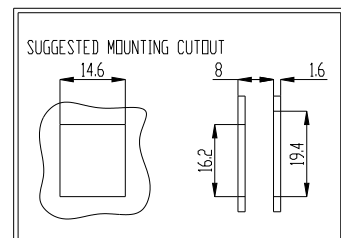
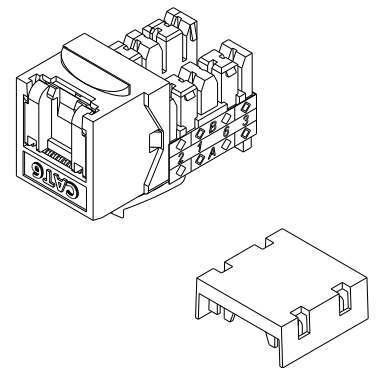
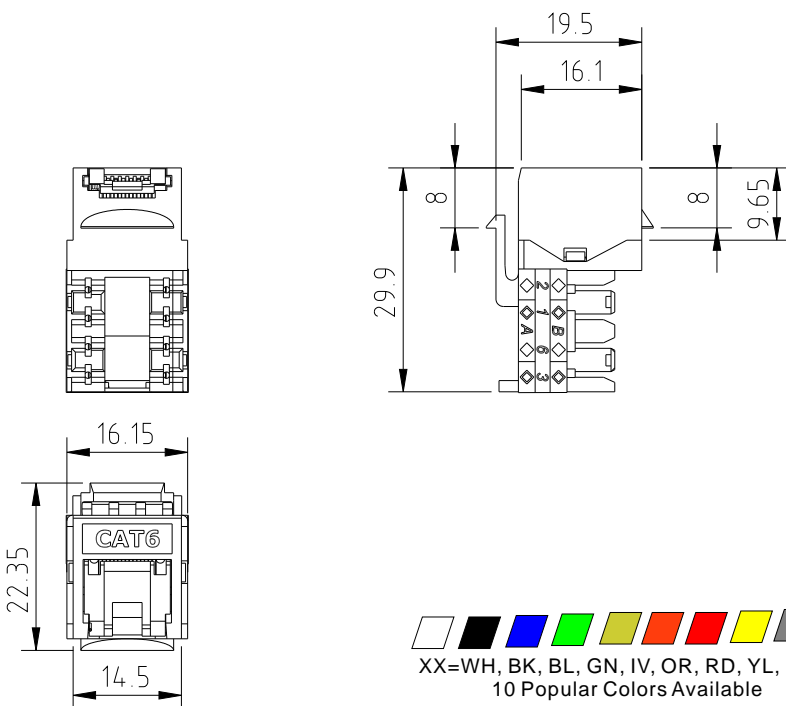
MJ90D-6E-xx	Cat6E 8P8C 568A/B
MJ90D-C6-xx	Cat6 8P8C 568A/B
MJ90D-5E-xx	Cat5E 8P8C 568A/B

Feature

- * Shuttered design.
- * Small form factor design for high density applications with more connectivity in less space.
- * Fits wall plates, blank patch panels and surface housings.
- * Meets & exceed EIA/TIA performance requirements.
- * Terminate with 110 Style punch tool.
- * Innovative press-fit technology to be fully RoHS compliant. (No solder - No leads.)
- * Integrate with T568A & T568B wiring diagram.

Specifications

- * Housing: ABS, UL94V-0
- * IDC: PC, 94V-0
- * Shutter: ABS, UL-94V-0
- * Spring: SUS 304
- * Contact: Gold plated with 60U" Nickel undercoat
- * PCB: FR-4, UL94V-0
- * Insulation Resistance: 500M
- * DC Current: 1.5amps
- * Exceed Cat5e, Cat6 performance Standards.



Cat6 & Cat5E Keystone Jacks meets & exceed Permanent Link & Channel Level requirements

90° UTP Modular Jack



Part No. :

MJ90A-6E-xx	Cat6E 8P8C 568A/B
MJ90A-C6-xx	Cat6 8P8C 568A/B
MJ90A-5E-xx	Cat5E 8P8C 568A/B

Feature

- * Small form factor design for high density applications with more connectivity in less space.
- * Fits all wall plates, blank patch panels and surface housing with 19.65mm opening.
- * Meets & exceed EIA/TIA performance requirements.
- * Terminate with 110 Style punch tool.
- * Innovative press-fit technology to be fully RoHS compliant. (No solder - No leads.)
- * Integrate with T568A & T568B wiring diagram.

Specifications

- * Housing: ABS, UL94V-0
- * IDC: PC, UL94V-0
- * Contact: Gold plated with 60U" Nickel undercoat
- * PCB: FR-4, 94V-0
- * Insulation Resistance: 500M
- * DC Current: 1.5amps
- * Exceed Cat5e, Cat6 performance Standards.

