

Cat6A Channel Performance



Part No. :

- MJFS6A Cat6A 180DG Jack
- MJFS6E Cat6E 180DG Jack

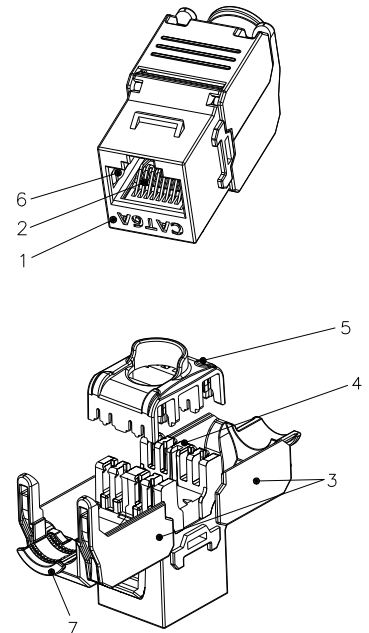
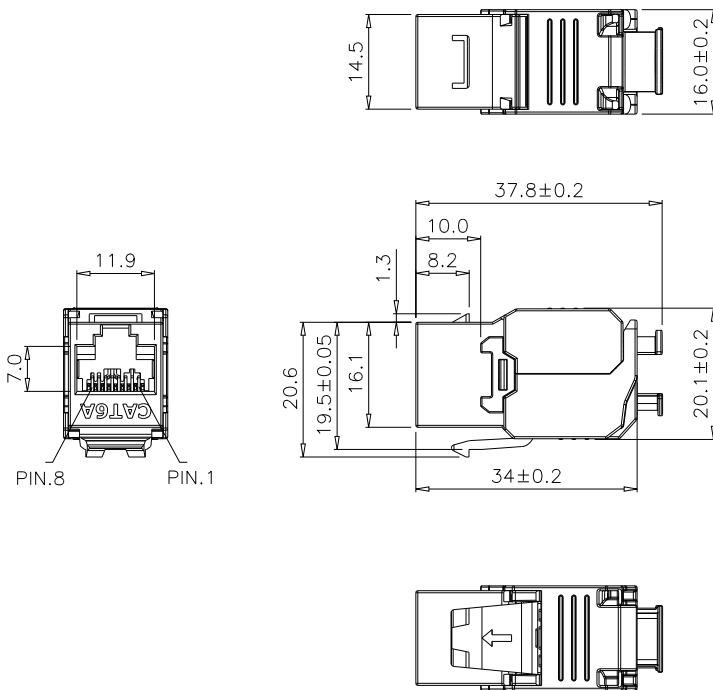
Feature

- * No punch down tool required.
- * 180DG design
- * Die-cast housing provide EMI, RFI and excellent AXT suppression
- * Provides excellent work in suppressing internal magnetic coupling up to bandwidth of 500MHz

Specifications

Material :

1. RJ45 Jack :
 - 1-1. Housing : Zinc Die-Casting with Nickel plated.
 - 1-2. Contact Bracket : PC, UL 94-V2, Transparent color.
2. RJ45 Jack Contact :
 - 2-1. Material : Phosphor Bronze with Nickel plated.
 - 2-2. Finish : 50 micro-inch Gold plated on Plug contact area.
3. Cap A&B : Zinc Die-Casting with Nickel plated.
4. IDC :
 - 4-1. Housing : PC+Glass Fiber, White color, UL 94-V2.
 - 4-2. Terminal : Phosphor Bronze with Tin plated.
5. IDC Cap : PC+Glass Fiber, White color, UL 94-V2.
6. Clip : Stainless Steel.
7. Grounding Contact : Zinc Die-Casting with Nickel plated.
8. PCB : FR4, 94-V0.



Cat6A Channel Performance



Part No. :

- MJFU6A-2-xx Cat6A 180DG Jack, Black Cap
- MJFU6E-2-xx Cat6E 180DG Jack, Green Cap

xx=WH, BK, BL

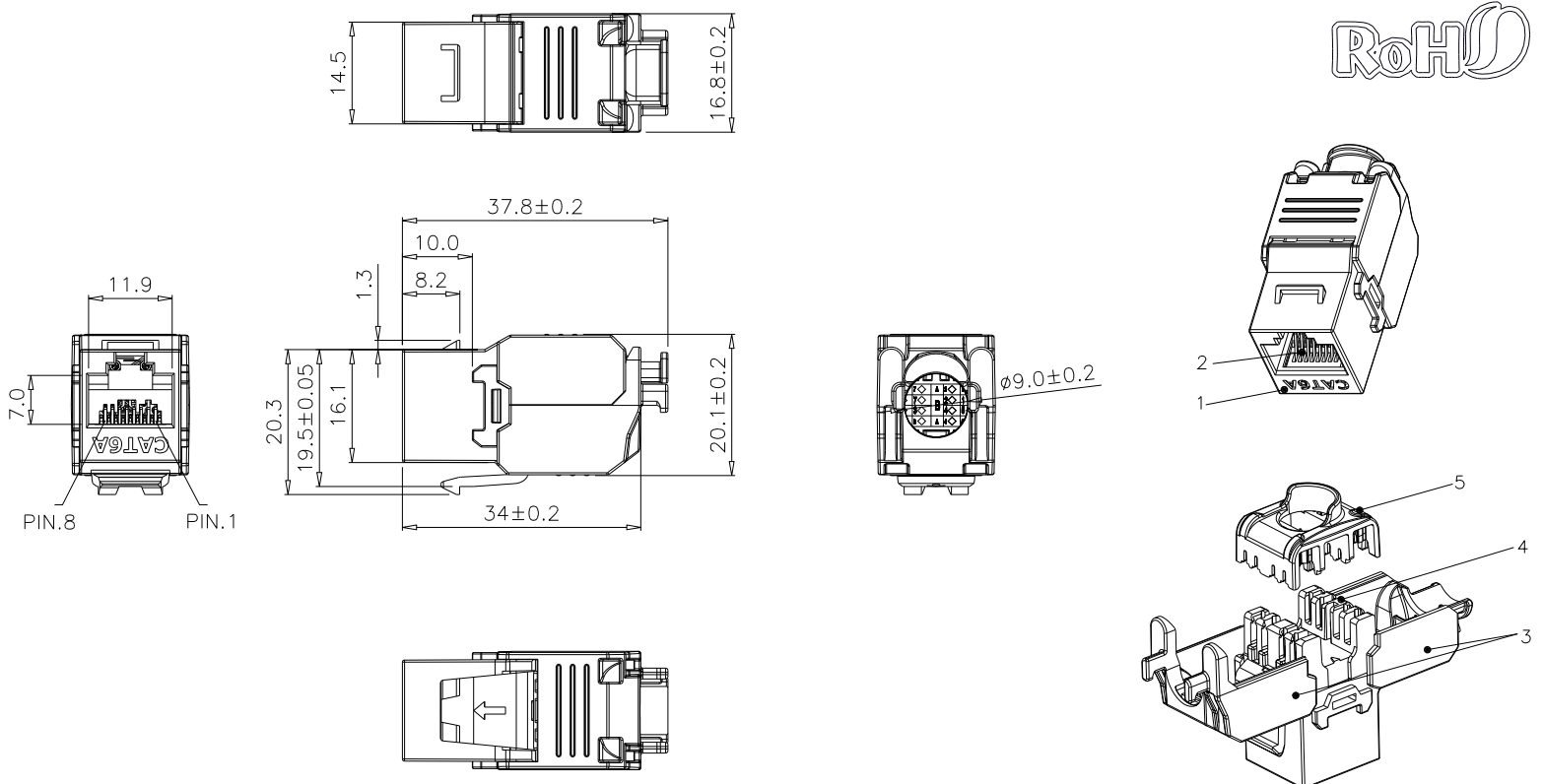
Feature

- * No punch down tool required.
- * 180DG design
- *Material housing provide EMI, RFI and excellent AXT suppression
- *Provides excellent work in suppressing internal magnetic coupling up to bandwidth of 500MHz

Specifications

Material :

1. RJ45 Jack :
 - 1-1. Housing : ABS+PC, UL 94-V0, white color.
 - 1-2. Contact Bracket : PC, UL 94-V2, Transparent color.
2. RJ45 Jack Contact :
 - 2-1. Material : Phosphor Bronze with Nickel plated.
 - 2-2. Finish : 50 micro-inch Gold plated on Plug contact area.
3. Cap A&B : PC+Glass Fiber,
4. IDC :
 - 4-1. Housing : PC+Glass Fiber, white color, UL 94-V2.
 - 4-2. Terminal : Phosphor Bronze with Tin plated.
5. IDC Cap : PC+Glass Fiber, UL 94-V2, White color.
6. PCB : FR4, UL 94-V0.



Cat6 component jacks exceeds ANSI/TIA/EIA-568-B.2-1 Category 6 connecting hardware requirements
 Patented PCB & Press-fit technology provides maximum performance & superior signal transmission
 Meets or exceeds category 6 specifications for channel / component performance
 Backwards compatible to all lower rate category components
 Integrated TIA-568A/B color wiring diagram
 ETL Tested



180° UTP Modular Jack

Part No. :

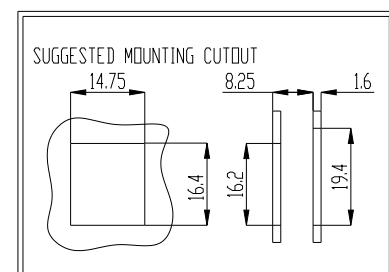
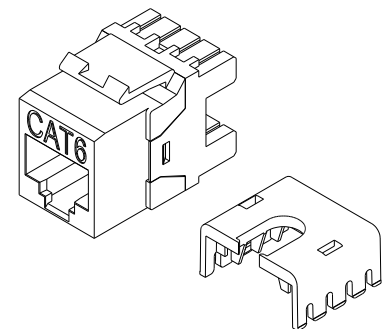
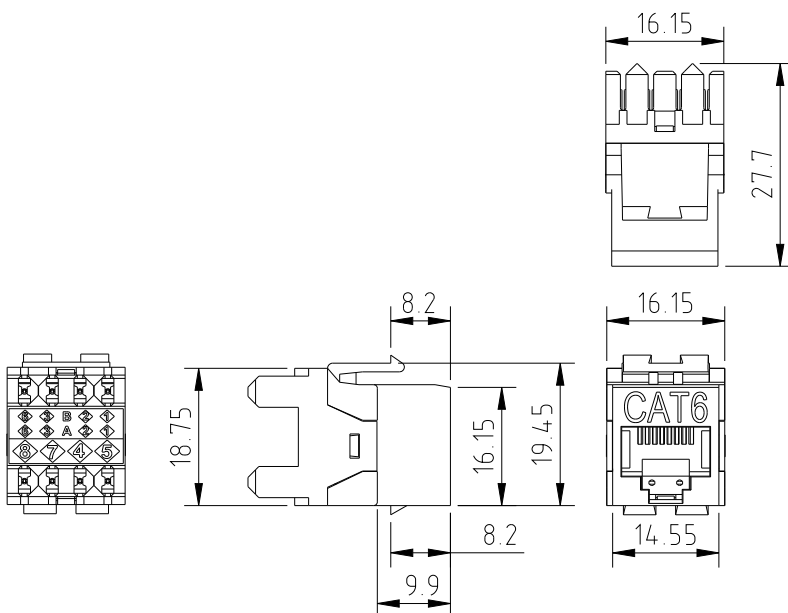
MJ180B-6E-xx Cat6E 8P8C 568A/B

Feature

- * Small form factor design for high density applications with more connectivity in less space.
- * Fits wall plates, blank patch panels and surface housing.
- * Meets & exceed EIA/TIA performance requirements.
- * Terminate with 110 Style punch tool.
- * Innovative press-fit technology to be fully RoHS compliant. (No solder - No leads.)
- * Integrate with T568A & T568B wiring diagram.

Specifications

- * Housing: ABS, UL94V-0
- * IDC: PC, UL94V-0
- * Contact: 50U Gold plated with 60U" Nickel undercoat
- * PCB: FR-4, 94V-0
- * Insulation Resistance: 500M
- * DC Current: 1.5amps
- * Exceed Cat5e, Cat6 performance Standards.



Cat6 & Cat5E Keystone Jacks meets & exceed Permanent Link & Channel Level requirements

180° UTP Modular Jack



Part No. :

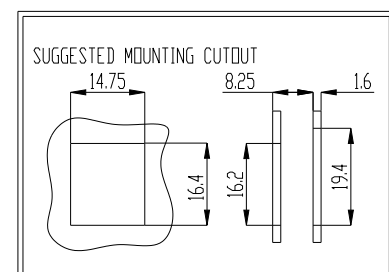
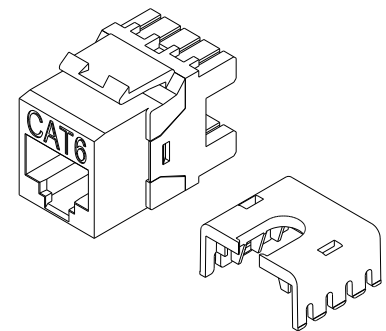
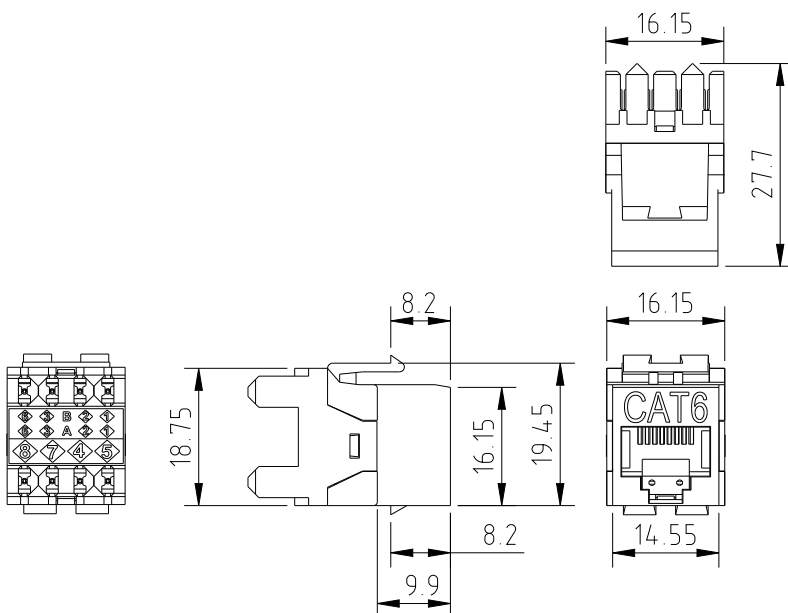
MJ180B-C6-xx Cat6 8P8C 568A/B
 MJ180B-5E-xx Cat5E 8P8C 568A/B

Feature

- * Small form factor design for high density applications with more connectivity in less space.
- * Fits wall plates, blank patch panels and surface housing.
- * Meets & exceed EIA/TIA performance requirements.
- * Terminate with 110 Style punch tool.
- * Innovative press-fit technology to be fully RoHS compliant. (No solder - No leads.)
- * Integrate with T568A & T568B wiring diagram.

Specifications

- * Housing: ABS, UL94V-0
- * IDC: PC, UL94V-0
- * Contact: Gold plated with 60U" Nickel undercoat
- * PCB: FR-4, 94V-0
- * Insulation Resistance: 500M
- * DC Current: 1.5amps
- * Exceed Cat5e, Cat6 performance Standards.



Cat6 & Cat5E Keystone Jacks meets & exceed Permanent Link & Channel Level requirements
Cat3 voice-grade USOC is ideal for most voice applications

UTP 180° Clipsal Jack



Part No. :

MJ180AU-C6-WH	Cat6 8P8C 568A/B
MJ180AU-5E-WH	Cat5E 8P8C 568A/B
MJ180AU-C3-WH	Cat 3 6P6C USOC

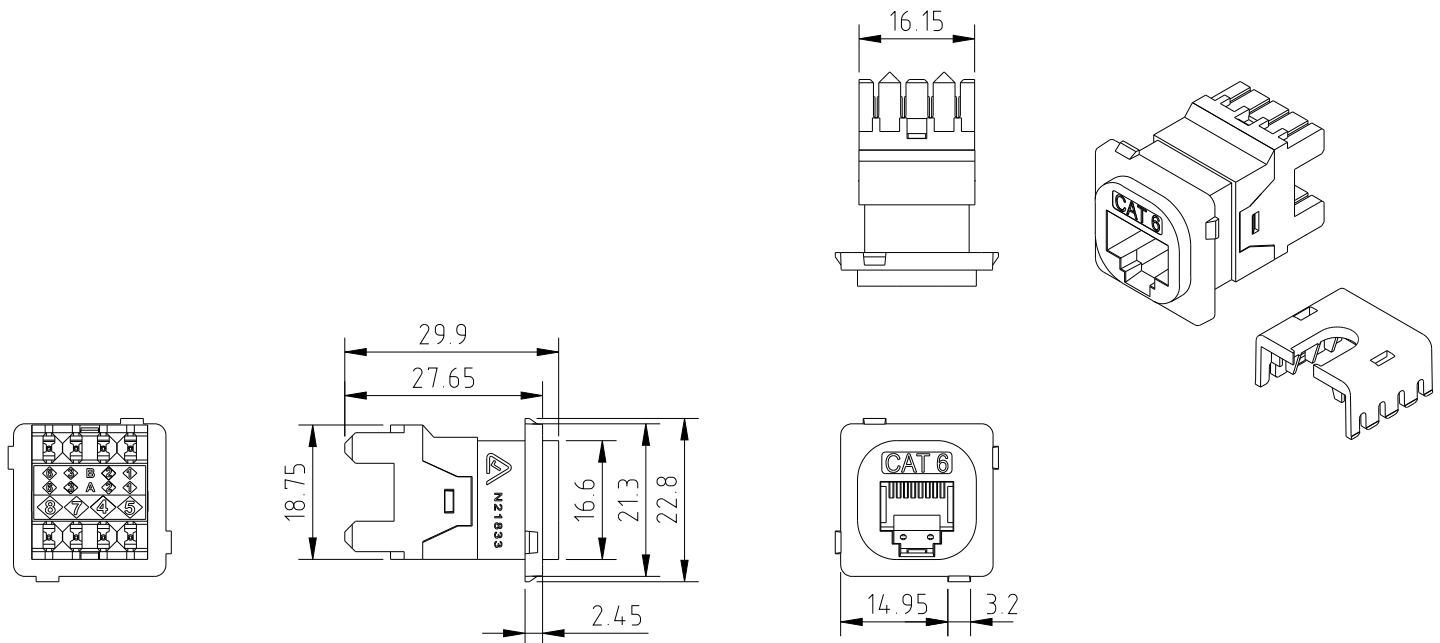
Feature

- * Fits Clipsal wall plates, Bezels.
- * Meets & exceed EIA/TIA performance requirements.
- * Terminate with 110 Style punch tool.
- * Innovative press-fit technology to be fully RoHS compliant. (No solder - No leads.)
- * Integrate with T568A & T568B wiring diagram.

Specifications

- * Housing: ABS, UL94V-0
- * IDC: PC, UL94V-0
- * Contact: Gold plated with 60U" Nickel undercoat
- * PCB: FR-4, UL94V-0
- * Insulation Resistance: 500M
- * DC Current: 1.5amps
- * Exceed Cat5e, Cat6 performance Standards.
- * White color.

RoHS



Cat6 component jacks exceeds ANSI/TIA/EIA-568-B.2-1 Category 6 connecting hardware requirements
Patented PCB & Press-fit technology provides maximum performance & superior signal transmission
Meets or exceeds category 6 specifications for channel / component performance
Backwards compatible to all lower rate category components
Integrated TIA-568A/B color wiring diagram
ETL Tested



Cat6E UTP 180° Clipsal Jack

Part No. :

MJ180AU-6E-WH Cat6E 8P8C 568A/B

Feature

- * Fits Clipsal wall plates, Bezels.
- * Meets & exceed EIA/TIA performance requirements.
- * Terminate with 110 Style punch tool.
- * Innovative press-fit technology to be fully RoHS compliant. (No solder - No leads.)
- * Integrate with T568A & T568B wiring diagram.

Specifications

- * Housing: ABS, UL94V-0
- * IDC: PC, UL94V-0
- * Contact: Gold plated with 60U" Nickel undercoat
- * PCB: FR-4, UL94V-0
- * Insulation Resistance: 500M
- * DC Current: 1.5amps
- * Exceed Cat5e, Cat6 performance Standards.
- * White color.

RoHS

