

24, 48 ports UTP Blank Panel



Part No. :

BP24 24port Flush Mount, 1RU

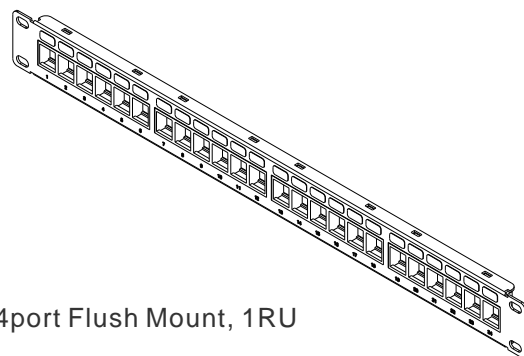
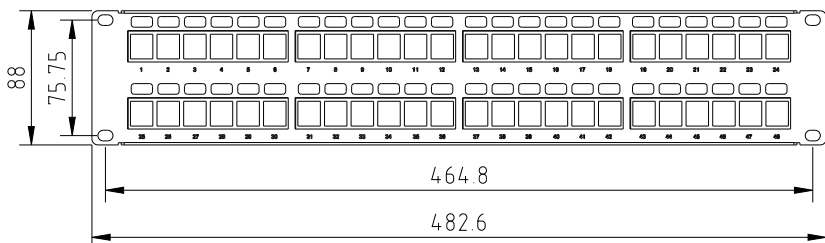
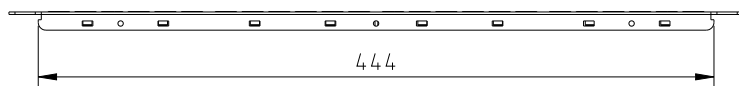
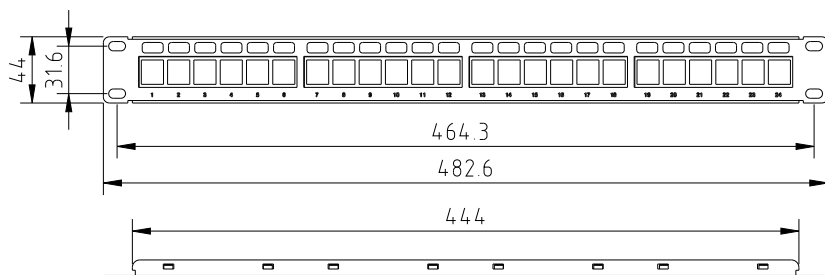
BP48 48port Flush Mount, 2RU

Feature

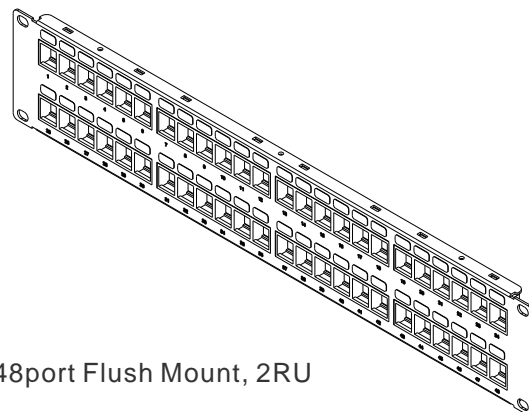
- * Accept both STP & UTP HD keystone inserts
- * Accept detachable rear cable management bar
- * 24Port 1U, 48port 2U.

Specifications

- * Front: SPCC, 1.5mm, Black
- * Plastic Frame: ABS, High-Impact UL94V-0



24port Flush Mount, 1RU



48port Flush Mount, 2RU