

Our Cat5E & Cat6 patch panels offer cost effective solution to achieve high performance that exceeds ANSI/TIA 568 Category 5E & 6 Standards



Part No. :

**PP245E** Cat5E 24-port  
**PP24C6** Cat6 24-port



\*Detachable Rear Cable Bar sold separately



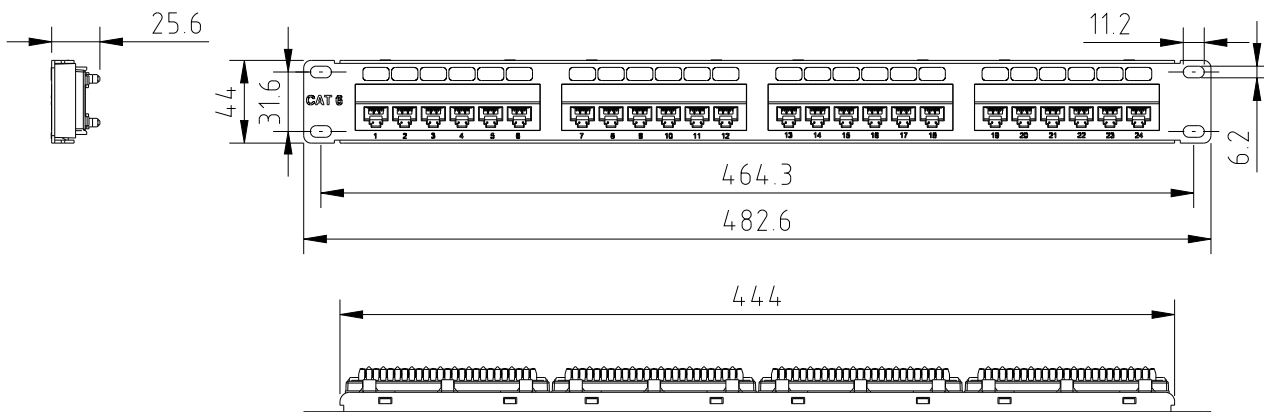
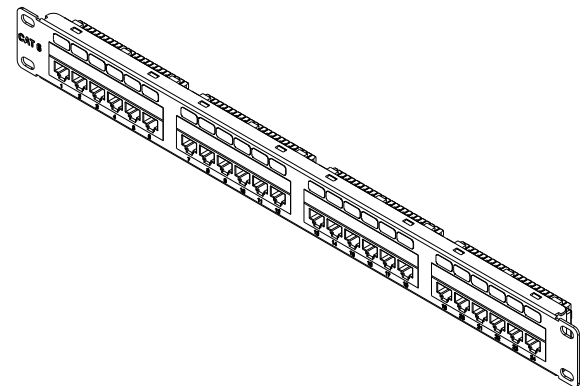
**Press-fit Technology Applied**  
100% RoHS compliant

### Feature

- \* New press-fit technology with fully RoHS compliant. (No solder - No leads.)
- \* Work with T568A & T568B wiring.
- \* Designed to fit all standard 19" racks and cabinets
- \* ETL tested

### Specifications

Panel: SPCC, 1.5mm black  
Contact: Gold plated with 60U" Nickel undercoat  
PCB: FR-4, 94V-0  
Insulation Resistance: 500M  
DC Current: 1.5amps  
Exceed Cat5e, Cat6 performance Standards.



Our Cat5E & Cat6 patch panels offer cost effective solution to achieve high performance that exceeds ANSI/TIA 568 Category 5E & 6 Standards



Part No.:

- PP245E-1 Cat5E 24-port W/wire management
- PP24C6-1 Cat6 24-port W/wire management



\*Detachable Rear Cable Bar sold separately



Press-fit Technology Applied  
100% RoHS compliant

### Feature

- \* New press-fit technology with fully RoHS compliant. (No solder - No leads.)
- \* Work with T568A & T568B wiring.
- \* Designed to fit all standard 19" racks and cabinets
- \* ETL tested

### Specifications

Panel: SPCC, 1.5mm black  
Contact: Gold plated with 60U" Nickel undercoat  
PCB: FR-4, 94V-0  
Insulation Resistance: 500M  
DC Current: 1.5amps  
Exceed Cat5e, Cat6 performance Standards.

